

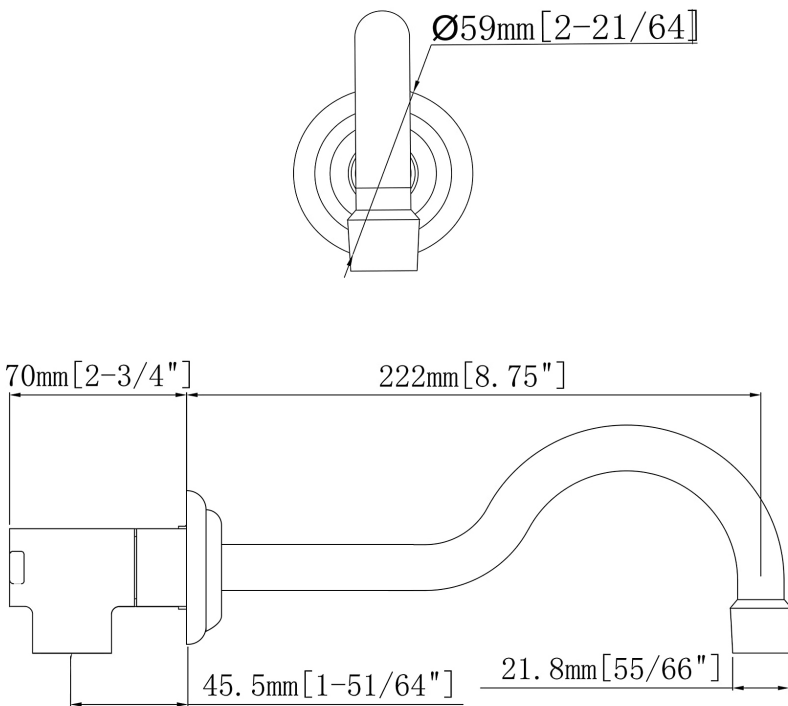
## COMMERCIAL WALL MOUNT TOUCHLESS COMMERCIAL AUTOMATIC SENSOR FAUCET SPECIFICATIONS

### Technical Information

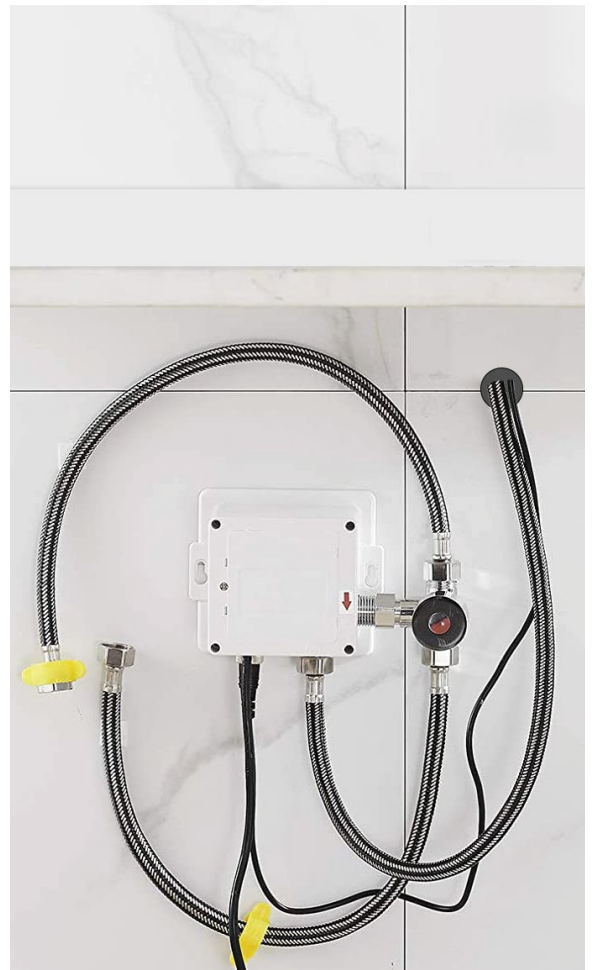


Installation Type: Wall Mounted  
Installation Holes: One Hole  
Valve Type: Ceramic Valve  
Suitable water pressure: 0.3-1.2MPa  
Temperature of environment: 1-45 °C (cold & hot water)  
Power: AC/DC  
Dia of inlet/outlet pipe: G1/2"  
Inductive distance: 12-15 cm

### Size



### Overview



All dimensions and specifications are nominal and may vary. Use actual products for accuracy in critical situations.